



Read me
FIRST

www.CookWithKenyon.com

KENYON[®]

Make any day a weekend

KENYON TEXAN STAND

ASSEMBLY INSTRUCTIONS

Part # 145593
July 1, 2020

Contents

Items Required and Hardware Kits3

Parts Lists

Base Kit 4

Enclosure Kit5

Shelf Kit5

Instructions

Assembling Base Texan Stand.....7

Assembling the Enclosure Kit9

Assembling the Shelf Kit10

Please read & save these instructions

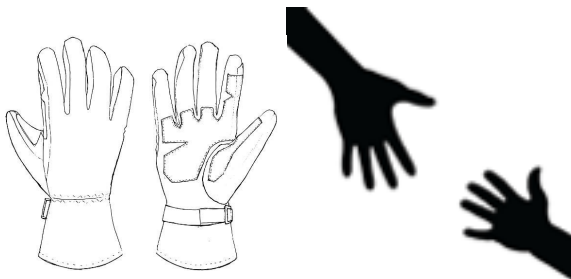
Thank you for choosing **Kenyon**, the world's leading manufacturer of specialty cooking appliances. By following the instructions in this assembly manual, your grill stand will provide you with many years of reliable service.

**PLEASE READ THESE INSTRUCTIONS
IN THEIR ENTIRETY BEFORE USE.
SAVE THESE INSTRUCTIONS
FOR FUTURE REFERENCE.**

ITEMS REQUIRED



**Phillips Head
Screwdriver**



**Gloves and a Helping Hand Strongly
Recommended**

BASE STAND HARDWARE KIT



**S1
(33X)**



**S2
(9X)**



**S3
(4X)**

ENCLOSURE HARDWARE KIT



**S1
(16X)**



**W1
(4X)**



**N1
(4X)**

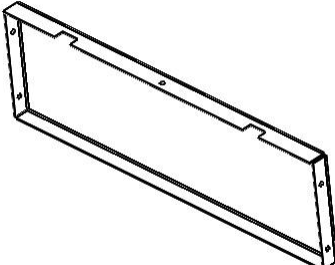
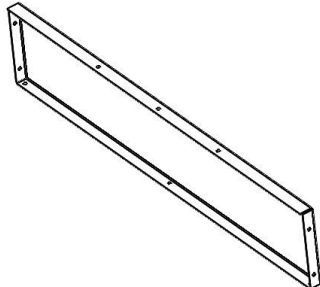
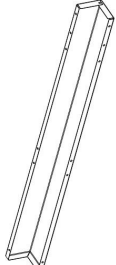
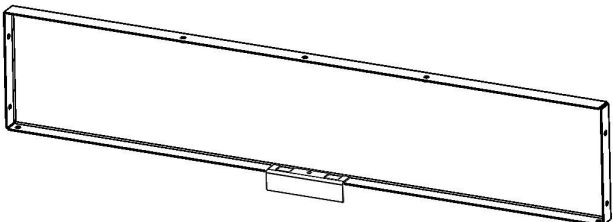
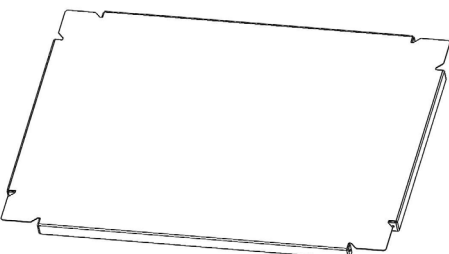
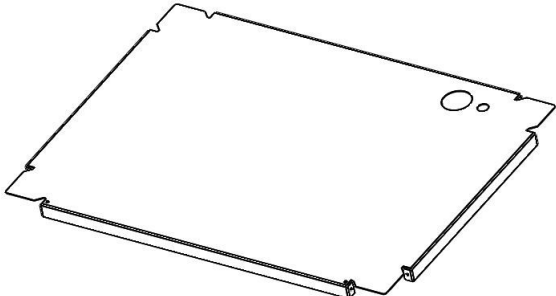
SHELF HARDWARE KIT



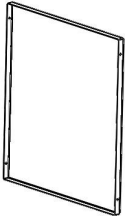
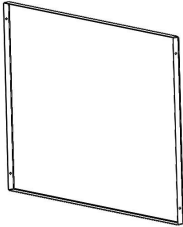
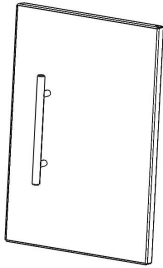
**S1
(6X)**

Part Lists

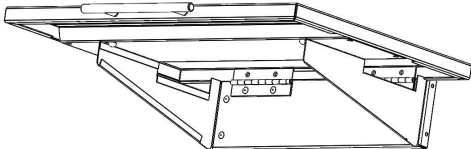
Base Kit

<p>SIDE FRAME (2X)</p>	<p>BACK FRAME (1X)</p>
	
<p>LEG (4X)</p>	<p>FRONT FRAME (1X)</p>
	
<p>LOWER SHELF (1X)</p>	<p>UPPER SHELF (1X)</p>
	

Enclosure Kit

SIDES (2X)	BACK (1X)
	
DOORS (2X)	
	

Shelf Kit

SHELF (2X)


Instructions

1 Attain all materials and hardware needed to put together stand.

- Phillips Screw Driver
- Gloves
- A Friend (grill them some steak after!)

2 Take inventory (**Base Kit**)

- (2X) Side Frame
- (1X) Front Frame
- (1X) Back Frame
- (4x) Legs
- (1X) Upper Shelf
- (1X) Lower Shelf
- (33X) Screw S1
- (9X) Screw S2 (for Texan Flange)
- (2X) Mounting Brackets 1
- (2X) Mounting Brackets 2
- (4X) Screw S3
- (4X) Hooks

3 Take inventory (**Enclosure Kit**)

- (2X) Side
- (1X) Back
- (2X) Door
- (16x) Screw S1
- (2X) Handle Assembly
- (4X) White Washer W1
- (4X) Push in Nut N1

4 Inventory (**Shelf Kit**)

- Custom Assembled at Kenyon!
- (2X) Handle Assembly
- (12x) Screw S1

If any components are missing or damaged, please call KENYON Customer Service at 860-664-4906.

Instructions

Assembling Base Texan Stand

1 Assemble stand on a carpet or soft surface to avoid any dents or scratches.

Kenyon has done our best to deburr the sheet metal, but it can still be sharp, please be mindful when assembling this stand. We recommend using gloves.

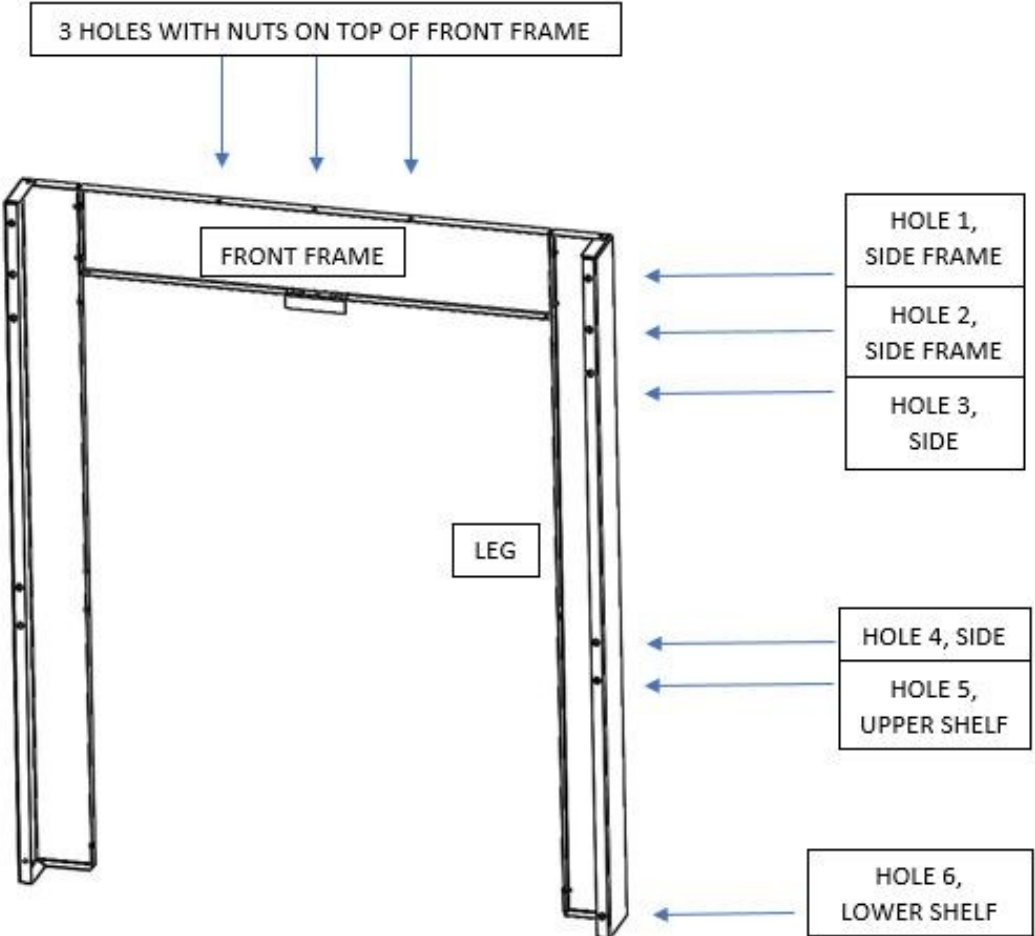
Please leave vinyl on parts until finished assembling. The vinyl has been removed from joining faces but the outer faces will continue to have some protection.

Unpack stand parts carefully, lay the parts out to check for shipping damage.

There will be 4 included hooks in this package. These use Very High Bond tape so first adhesion is very important. Please thoroughly clean the stainless steel where you want the hooks to be. On the back of the hook there is the double-sided tape. Peel the protective layer off and then stick the hook on firmly. Allow this to set for at least 2 hours before putting any load on the hook.

2 Place 2 Legs on the ground, vinyl side down. All of the legs are the same. The legs have holes throughout the length of them. Place the Front Frame, vinyl side down, and align the top (3 holes with nuts) with the top of the legs. Fasten together lightly, do not fully tighten yet, Screw S1 to corresponding hole 1 and hole 2.

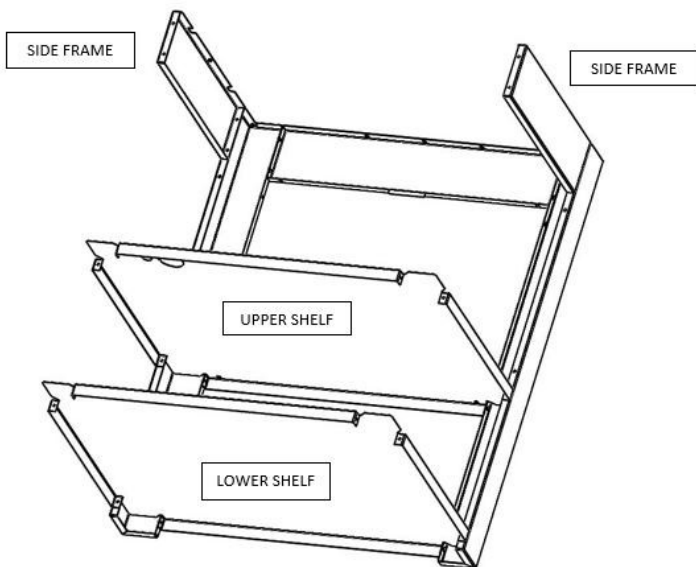
Use: Screw S1



Instructions

- 3** Align the Upper Shelf with hole 5. The shelf should have the vinyl facing towards the Front Frame and the 2 large holes in the upper shelf should be on the opposite side of the Front Frame, as shown in the next image. Tighten lightly 2 screws to each Leg. Repeat with the Lower Shelf in hole 6.

Use: Screw S1



- 4** Connect the Side Frames to the top 2 holes in the Legs. If you have one (or two) Side Shelves, attach one (or neither) side frame but leave the side shelf assembly off until the end.

Use: Screw S1

- 5** Put the final two Legs on now. The orientation should be the same as the other legs.

Use: Screw S1

- 6** Turn the stand over so the open frame is down. Fasten the Back Frame to the rest of the stand now, vinyl side out. The 3 holes with nuts should be on the top, the same as the Front Frame. This will bring the entire **BASE STAND** together.

Use: Screw S1

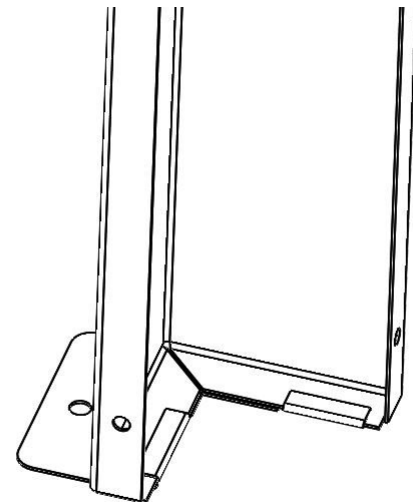
- 7** Take this time to tighten all screws (don't forget under the shelves!).

Now, if assembling the enclosure kit or shelf kits skip this step and move to the next page. If not assembling the enclosure or shelf kit, place the Texan grill into the stand, please be careful, 2 people recommended. Hold by the strongest part of the flange, as close to the Texan body as possible. Be aware, flange will bend if held too far out. Fasten Texan to stand using Screw S2.

Use: Screw S2

If using the mounting brackets to fasten the stand to the deck or patio, find the install location to set the Texan. There are two types of mounting brackets, they are mirrored parts of each other. Use lag bolt S3 to fasten to the deck or patio.

Use: Screw S3



Take all of the remaining vinyl off now and use this time to clean and polish to put a beautiful shine on the grill and stand's stainless steel. Remember to wipe with the grain, never across or diagonally.

Continue to the next page to assemble the enclosure and shelf kit.

Instructions

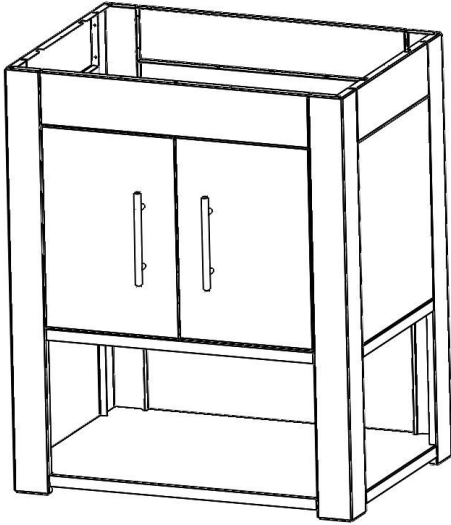
Assembling the Enclosure Kit

Hardware kit and accessories can be found inside the rectangular packaging.

Peel vinyl at least 2 inches from each side. This is required for the sides, back and doors to sit flush with the shelf.

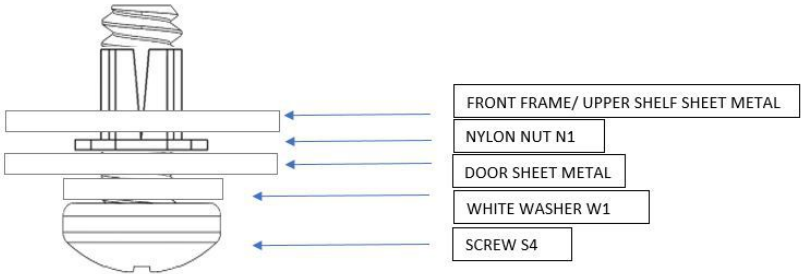
- 1 Lift the stand to the standing position and open the Enclosure Kit hardware package. Next, fasten the handles to the doors. Take one S1 screw, put it through the hole on the inside face of the door. Take the handle assembly and screw S1 into one of the small handle legs. Fasten the other screw into the handle. Repeat with the other door.

Use: Screw S1



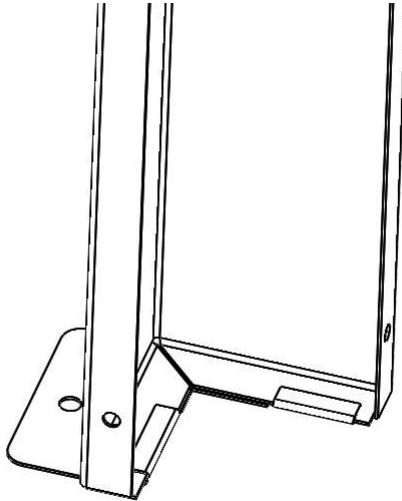
- 2 Now, take the Screw S1, Nylon Nut N1, White Nylon Washers W1, included to assemble the Doors. There are 2 square holes in the front frame and 2 square holes on the Upper Shelf. The Nylon Nuts will snap inside these holes. Place one White Washer (W1) on Screw S1. Do this with all 4 pivot points on the door set. Tighten until you feel an increase in resistance, overtightening will strip the nut.

Use: Screw S1, Nut N1, Washer W1



- 3 Using Screw S1, fasten the Back and both Sides on the stand. The Back goes on the side closest to the 2 holes on the upper shelf. These should have a flush mount against the Legs, Upper Shelf, and Top Frames.

Use: Screw S1



Instructions

- 4** Take this time to tighten all screws (don't forget under the shelves!).

Now, if assembling the Shelf Kit skip this step and go to the next page. If not assembling the shelf kit, place the Texan grill into the stand, please be careful, 2 people recommended. Hold by the strongest part of the flange as close to the Texan body as possible. Be aware, flange will bend if held too far out. Fasten Texan to stand using Screw S2.

Use: Screw S2

If using the mounting brackets to fasten the stand to the deck, find the install location to set the Texan. There are two types of mounting brackets, they are mirrors of each other. Use screw S3 to fasten to the deck or patio.

Use: Screw S3

Take all of the remaining vinyl off and use this time to clean and polish to put a beautiful shine on the grill and stand's stainless steel. Remember to wipe **with** the grain, never across or diagonally.

Continue to the next section to assemble the shelf kit.

Assembling the Shelf Kit

Hardware kit and accessories can be found inside the rectangular packaging.

- 1** Now, we are going to fasten the handle to the shelf. Take one S1 screw, put it through the hole on the underside of the Side Shelf. Repeat for each screw. Now, take the handle assembly and easily fasten to the shelf!

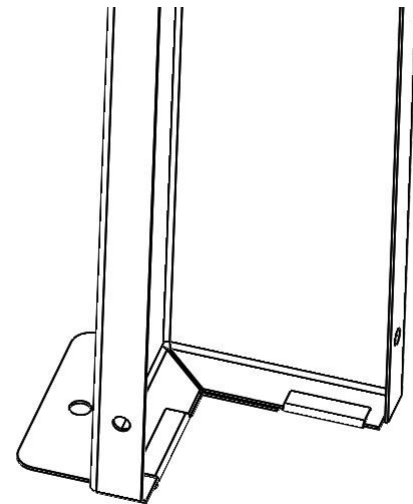
Use: Screw S1

- 2** Use Screw S1 to fasten the Side Shelf to whichever side of the stand makes the most sense for your application.

Use: Screw S1

- 3** The shelf can be lifted into position by lifting the handle, reaching under and pulling the wings of the shelf to a right angle with the stand. There are two sets of two rubber bumpers under the shelf that the wings will align in between them. This will mitigate any chance of the wings being moved while the shelf is up and will also be softer when putting the shelf down.

- 4** Congratulations all Texan stand kits have been assembled! Take this time to tighten all screws (don't forget under the shelves!). Now, place the Texan Grill into the stand, please be careful, 2 people recommended. Hold by the strongest part of the flange, as close to the Texan body as possible. Be aware, flange will bend if held too far out. Fasten Texan to stand using Screw S2.



Instructions

If using the mounting brackets to fasten the stand to the deck, find the install location to set the Texan. There are two types of mounting brackets, they are mirrors of each other. Use screw S3 to fasten to your deck.

Use: Screw S3

Take all of the remaining vinyl off and use this time to clean and polish to put a beautiful shine on the grill and stand's stainless steel. Remember to wipe **with** the grain, never across or diagonally.

Congratulations, go grill your favorite food!
If you have any questions or concerns while assembling, please do not hesitate to call Kenyon customer service at 860-664-4906.