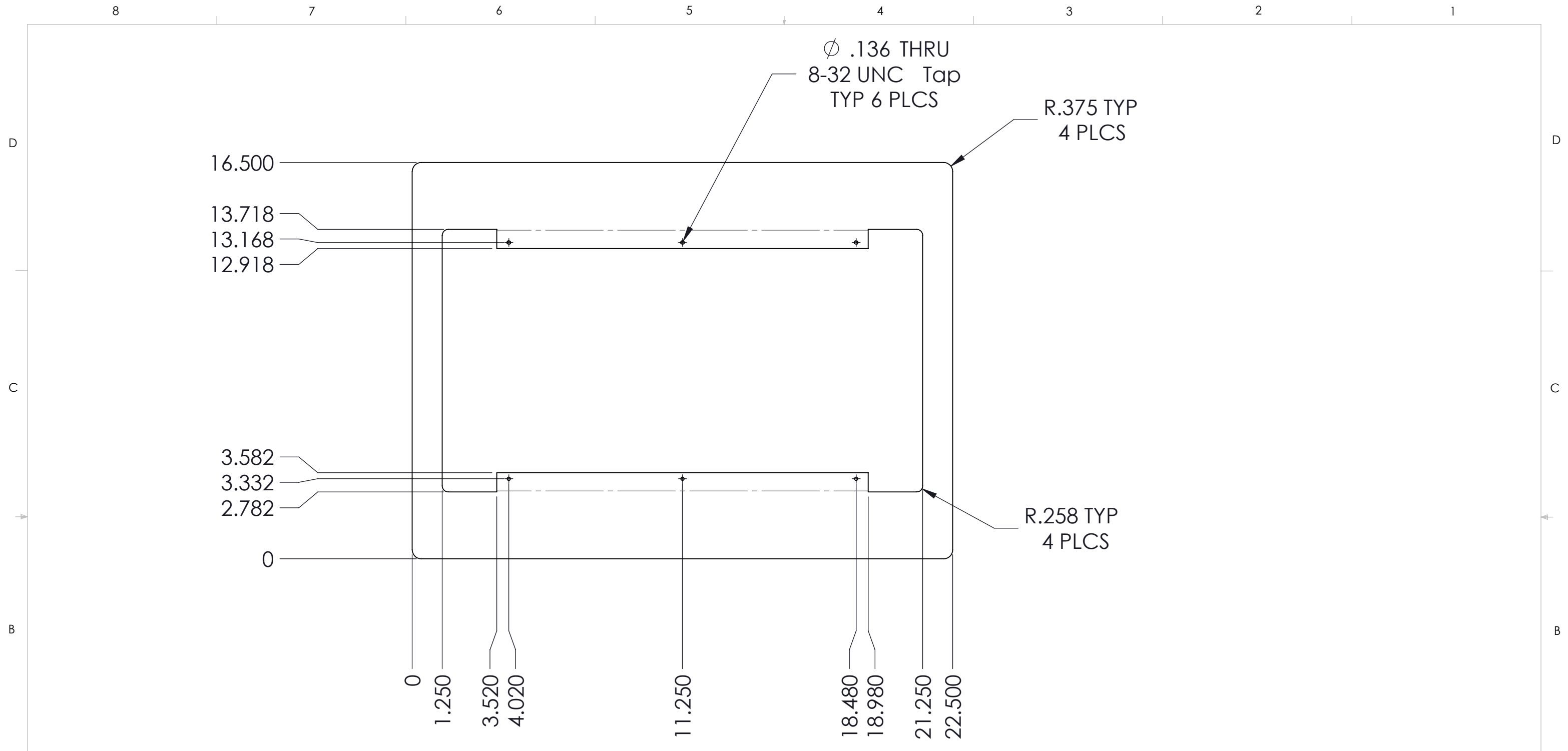


**PROPRIETARY AND CONFIDENTIAL**  
 THE INFORMATION CONTAINED IN THIS DRAWING IS THE SOLE PROPERTY OF KENYON INTERNATIONAL. ANY REPRODUCTION IN PART OR AS A WHOLE WITHOUT THE WRITTEN PERMISSION OF KENYON INTERNATIONAL IS PROHIBITED.

		UNLESS OTHERWISE SPECIFIED:		NAME	DATE	KENYON INTERNATIONAL 8 HERITAGE PARK - PO BOX 925 CLINTON, CT 06413	
		DIMENSIONS ARE IN INCHES TOLERANCES: ANGULAR: MACH ± .125° BEND ± .125° TWO PLACE DECIMAL ± .01" THREE PLACE DECIMAL ± .001"		DRAWN	TAV	7/2010	TITLE: <b>Counter adapter 22.5" X 16.5" center mount</b>
		INTERPRET GEOMETRIC TOLERANCING PER: ANSI		CHECKED			
		MATERIAL <b>16 GA CRS</b>		ENG APPR.			
		FINISH <b>Black Powder Coat</b>		MFG APPR.			
NEXT ASSY	USED ON	DO NOT SCALE DRAWING		Q.A.			SIZE <b>B</b>
APPLICATION				COMMENTS:			DWG. NO. <b>143715</b>
							REV
							SCALE: 1:8
							WEIGHT:
							SHEET 1 OF 3



**PROPRIETARY AND CONFIDENTIAL**  
 THE INFORMATION CONTAINED IN THIS DRAWING IS THE SOLE PROPERTY OF KENYON INTERNATIONAL. ANY REPRODUCTION IN PART OR AS A WHOLE WITHOUT THE WRITTEN PERMISSION OF KENYON INTERNATIONAL IS PROHIBITED.

		UNLESS OTHERWISE SPECIFIED:		NAME	DATE	KENYON INTERNATIONAL 8 HERITAGE PARK - PO BOX 925 CLINTON, CT 06413	
		DIMENSIONS ARE IN INCHES TOLERANCES: ANGULAR: MACH ± .125° BEND ± .125° TWO PLACE DECIMAL ± .01" THREE PLACE DECIMAL ± .001"		DRAWN	TAV	7/2010	TITLE: <b>Counter adapter 22.5" X 16.5" center mount</b>
		INTERPRET GEOMETRIC TOLERANCING PER: ANSI		CHECKED			
		MATERIAL <b>16 GA CRS</b>		ENG APPR.			
		FINISH <b>Black Powder Coat</b>		MFG APPR.			
NEXT ASSY	USED ON	DO NOT SCALE DRAWING		Q.A.			SIZE <b>B</b>
APPLICATION				COMMENTS:			DWG. NO. <b>143715</b>
							REV
							SCALE: 1:8
							WEIGHT:
							SHEET 2 OF 3

