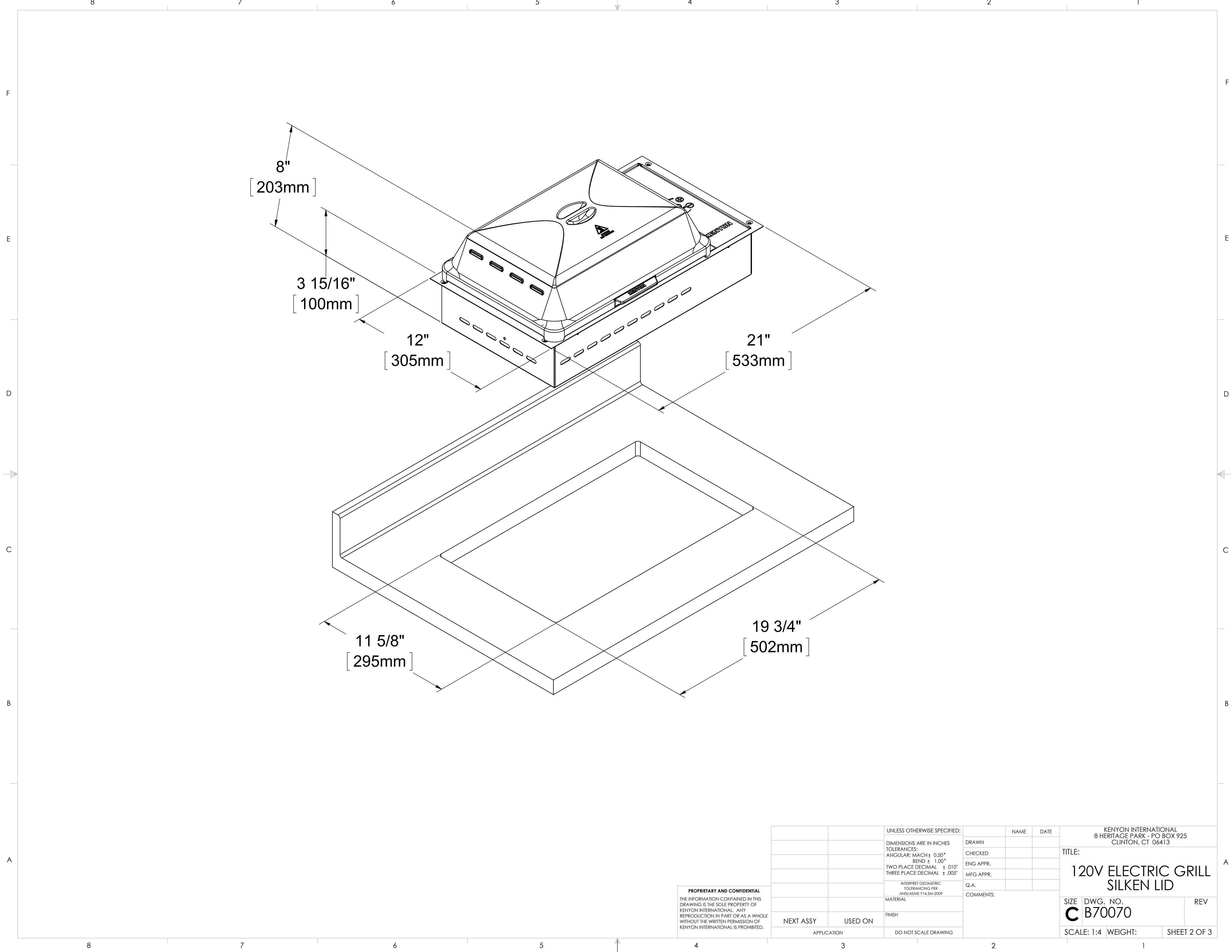


PROPRIETARY AND CONFIDENTIAL
 THE INFORMATION CONTAINED IN THIS DRAWING IS THE SOLE PROPERTY OF KENYON INTERNATIONAL. ANY REPRODUCTION IN PART OR AS A WHOLE WITHOUT THE WRITTEN PERMISSION OF KENYON INTERNATIONAL IS PROHIBITED.

UNLESS OTHERWISE SPECIFIED: DIMENSIONS ARE IN INCHES TOLERANCES: ANGULAR: MACH ± 0.50° BEND ± 1.00° TWO PLACE DECIMAL ± .010° THREE PLACE DECIMAL ± .005° INTERPRET GEOMETRIC TOLERANCING PER ANSI/ASME Y14.5M-2009		DRAWN GSP	NAME GSP	DATE 4/26/18	KENYON INTERNATIONAL 8 HERITAGE PARK - PO BOX 925 CLINTON, CT 06413
MATERIAL		CHECKED	ENG APPR.	MFG APPR.	
FINISH		Q.A.			TITLE: 120V ELECTRIC GRILL SILKEN LID
NEXT ASSY		COMMENTS:			
APPLICATION	USED ON	DO NOT SCALE DRAWING			SIZE DWG. NO. C B70070
				SCALE: 1:1	WEIGHT:
				SHEET 1 OF 3	

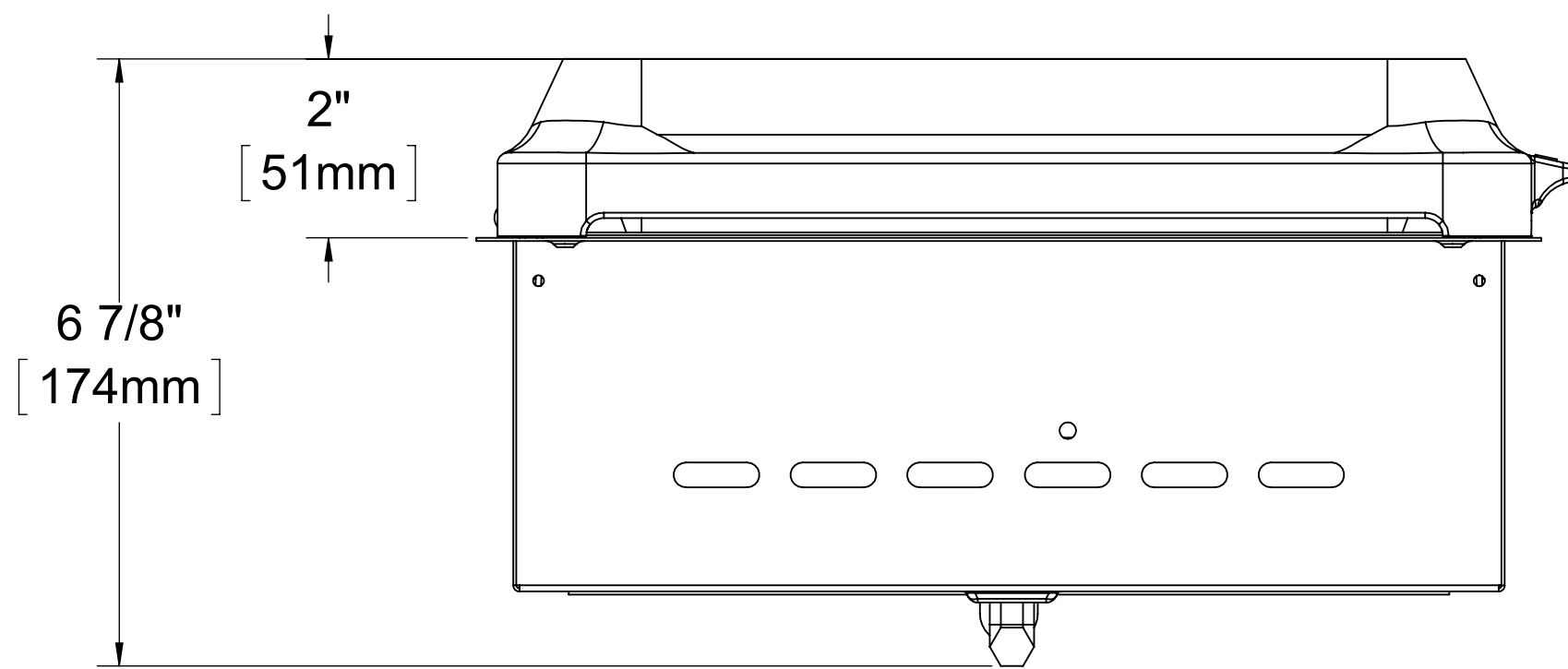
REV



PROPRIETARY AND CONFIDENTIAL
 THE INFORMATION CONTAINED IN THIS DRAWING IS THE SOLE PROPERTY OF KENYON INTERNATIONAL. ANY REPRODUCTION IN PART OR AS A WHOLE WITHOUT THE WRITTEN PERMISSION OF KENYON INTERNATIONAL IS PROHIBITED.

UNLESS OTHERWISE SPECIFIED:		NAME	DATE
DIMENSIONS ARE IN INCHES		DRAWN	
TOLERANCES:		CHECKED	
ANGULAR: MACH ± 0.50°		ENG APPR.	
BEND ± 1.00°		MFG APPR.	
TWO PLACE DECIMAL ± .010"		Q.A.	
THREE PLACE DECIMAL ± .005"		COMMENTS:	
INTERPRET GEOMETRIC TOLERANCING PER ANSI/ASME Y14.5M-2009			
MATERIAL	FINISH		
NEXT ASSY	USED ON		
APPLICATION	DO NOT SCALE DRAWING		

KENYON INTERNATIONAL 8 HERITAGE PARK - PO BOX 925 CLINTON, CT 06413		
TITLE: 120V ELECTRIC GRILL SILKEN LID		
SIZE	DWG. NO.	REV
C	B70070	
SCALE: 1:4	WEIGHT:	SHEET 2 OF 3



PROPRIETARY AND CONFIDENTIAL
 THE INFORMATION CONTAINED IN THIS DRAWING IS THE SOLE PROPERTY OF KENYON INTERNATIONAL. ANY REPRODUCTION IN PART OR AS A WHOLE WITHOUT THE WRITTEN PERMISSION OF KENYON INTERNATIONAL IS PROHIBITED.

		UNLESS OTHERWISE SPECIFIED:		NAME		DATE		KENYON INTERNATIONAL 8 HERITAGE PARK - PO BOX 925 CLINTON, CT 06413	
		DIMENSIONS ARE IN INCHES		DRAWN				TITLE: 120V ELECTRIC GRILL SILKEN LID	
		TOLERANCES:		CHECKED					
		ANGULAR: MACH ± 0.50°		ENG APPR.					
		BEND ± 1.00°		MFG APPR.					
		TWO PLACE DECIMAL ± .010"		Q.A.				SIZE DWG. NO. REV	
		THREE PLACE DECIMAL ± .005"		COMMENTS:				SCALE: 1:2 WEIGHT: SHEET 3 OF 3	
		INTERPRET GEOMETRIC TOLERANCING PER ANS/ASME Y14.5M-2009							
		MATERIAL							
		FINISH							
NEXT ASSY		USED ON							
APPLICATION		DO NOT SCALE DRAWING							