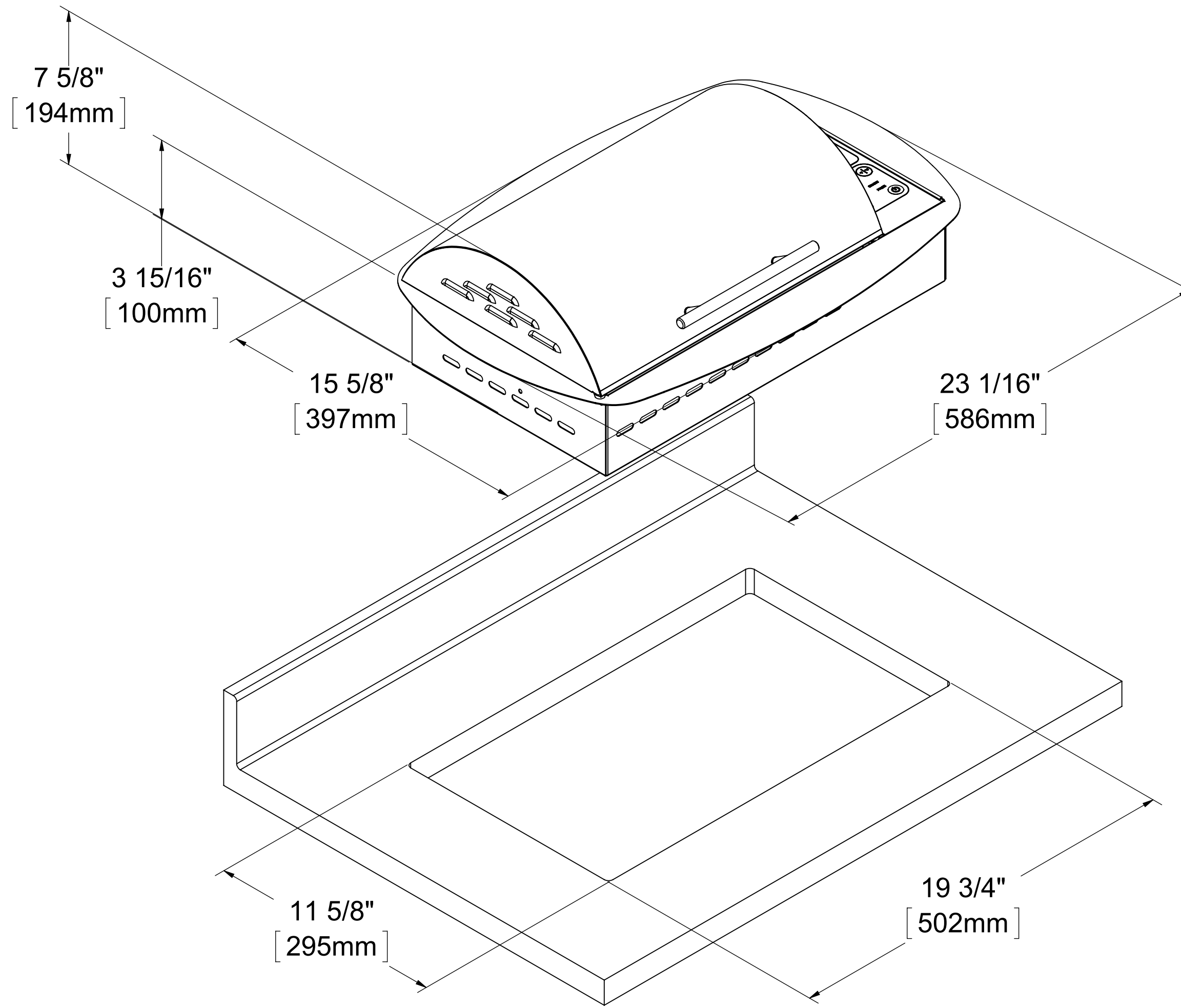


PROPRIETARY AND CONFIDENTIAL
THE INFORMATION CONTAINED IN THIS DRAWING IS THE SOLE PROPERTY OF KENYON INTERNATIONAL. ANY REPRODUCTION IN PART OR AS A WHOLE WITHOUT THE WRITTEN PERMISSION OF KENYON INTERNATIONAL IS PROHIBITED.

		UNLESS OTHERWISE SPECIFIED:				KENYON INTERNATIONAL 8 HERITAGE PARK - PO BOX 925 CLINTON, CT 06413	
		DIMENSIONS ARE IN INCHES		DRAWN		TITLE:	
		TOLERANCES:		CHECKED		SIZE DWG. NO. REV	
		ANGULAR: MACH ± 0.50°		ENG APPR.		C B70585	
		BEND ± 1.00°		MFG APPR.		SCALE: 1:1 WEIGHT: SHEET 1 OF 2	
		TWO PLACE DECIMAL ± .010"		Q.A.			
		THREE PLACE DECIMAL ± .005"		COMMENTS:			
		INTERPRET GEOMETRIC TOLERANCING PER ANS/ASME Y14.5M-2009					
		MATERIAL					
		FINISH					
NEXT ASSY		USED ON					
APPLICATION		DO NOT SCALE DRAWING					



PROPRIETARY AND CONFIDENTIAL
 THE INFORMATION CONTAINED IN THIS DRAWING IS THE SOLE PROPERTY OF KENYON INTERNATIONAL. ANY REPRODUCTION IN PART OR AS A WHOLE WITHOUT THE WRITTEN PERMISSION OF KENYON INTERNATIONAL IS PROHIBITED.

		UNLESS OTHERWISE SPECIFIED:		NAME		DATE		KENYON INTERNATIONAL 8 HERITAGE PARK - PO BOX 925 CLINTON, CT 06413	
		DIMENSIONS ARE IN INCHES		DRAWN				TITLE:	
		TOLERANCES:		CHECKED					
		ANGULAR: MACH ± 0.50°		ENG APPR.					
		BEND ± 1.00°		MFG APPR.					
		TWO PLACE DECIMAL ± .010"		Q.A.				SIZE DWG. NO. REV	
		THREE PLACE DECIMAL ± .005"		COMMENTS:				C B70585	
		INTERPRET GEOMETRIC TOLERANCING PER ANS/ASME Y14.5M-2009						SCALE: 1:4 WEIGHT: SHEET 2 OF 2	
		MATERIAL							
		FINISH							
NEXT ASSY		USED ON							
APPLICATION		DO NOT SCALE DRAWING							